

# KIT/XVR301-04G3/4\* UAC-T112-F28



## Key Features

### XVR301-04G3

- Support H.265/H.264 video formats
- Support TVI, AHD, CVI, CVBS, IP cameras with adaptive access
- 4-channel BNC input
- Support 1-ch HDMI output, 1-ch VGA output at up to 1920\*1080

### UAC-T112-F28

- 2MP high quality image
- TVI/AHD/CVI/CVBS
- IR-cut filter with auto switch (ICR)
- Supports 180° horizontal flip, 180° vertical flip
- OSD configuration menu, easy to operate
- IP67 waterproof and dustproof design, high reliability
- OSD configuration menu in 11 languages

## Specifications

Model	XVR301-04G3
Video/Audio Input	
Analog Video	4-ch, BNC

Input	
IP Video Input	2-ch(only IP up to 6ch), each channel up to 4MP
Supported Analog Camera Types	<b>Support AHD input:</b> 5MP@20fps 4MP@30fps 1080P@30fps 720P@60fps <b>Support TVI input:</b> 5MP@20fps 4MP@30fps 1080P@30fps 720P@60fps <b>Support CVI input:</b> 5MP@20fps 4MP@30fps 1080P@30fps 720P@30fps <b>Support CVBS input</b>
Audio Input	1-ch, RCA
Audio Compression	G.711U
<b>Video/Audio Output</b>	
VGA Output	1920x1080p/60Hz, 1920x1080p/50Hz, 1600x1200/60Hz, 1280x1024/60Hz, 1280x720/60Hz, 1024x768/60Hz
HDMI Output	1920x1080p/60Hz, 1920x1080p/50Hz, 1600x1200/60Hz, 1280x1024/60Hz, 1280x720/60Hz, 1024x768/60Hz
Audio Output	1-ch, RCA
Synchronous Playback	HD:2-ch SD:4-ch
Live view display	HDMI/VGA: 1/4/6/8/9
Two-way Audio	1-ch, RCA
<b>Network</b>	
Incoming Bandwidth	16Mbps (Up to 24Mbps after all analog channel conversion)
Outgoing Bandwidth	48Mbps
Remote Users	128
Protocols	TCP/IP, P2P, UPnP, DHCP, HTTP, HTTPS, DNS, DDNS, SMTP
Browser	IE(IE10/11) for Windows Firefox (version 52.0 and above) for Windows

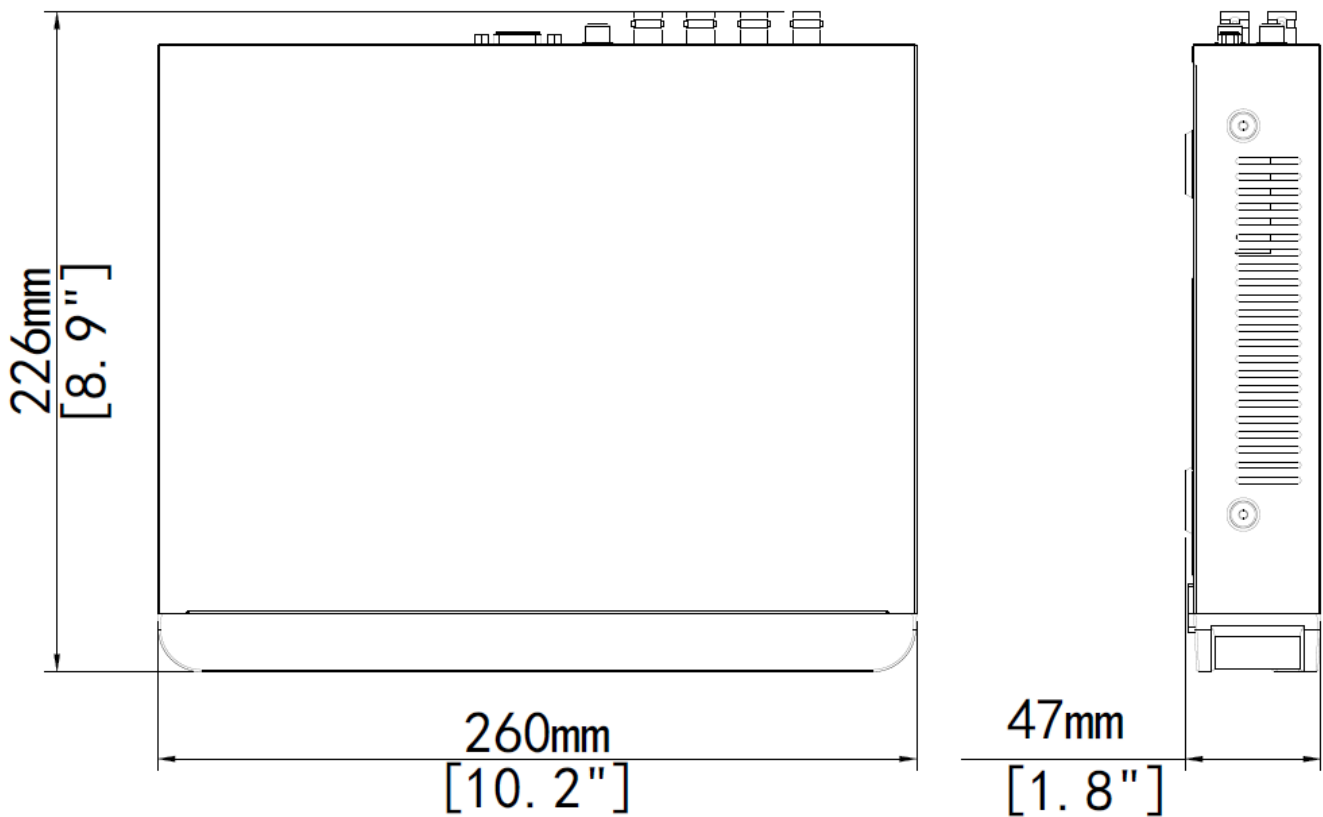
	Chrome(version 45 and above) for Windows Edge(version 79 and above) for Windows	
<b>Encoding</b>		
Recording Resolution	5MP Lite/4MP Lite/1080P/720P/CIF	
Recording Frame Rate	<b>Main stream:</b>	<b>Sub stream:</b>
	5MP Lite@12fps	D1@12fps
	4MP Lite@15fps	D1@15fps
	1080P@15fps	D1@15fps
	720P@25fps	D1@25fps
Audio Sample Rate	8KHz,16 bit per channel	
Audio Bit Rate	64Kbps per channel	
<b>Decoding</b>		
Capability	Analog: 2 x 5MP Lite@12, 2 x 4MP Lite@15, 2 x 1080P@15 IP: 1 x 4MP@30, 2 x 1080P@30	
<b>Hard Disk</b>		
SATA	1 SATA interface	
Capacity	Up to 8TB for each HDD (The maximum HDD capacity varies with environment temperature)	
<b>General Alarm</b>		
General Alarm	Motion detection	
Alert Alarm	IP Conflict, Network Disconnected, Disk offline, Disk Abnormal, Illegal Access, Hard Disk Space Low, Hard Disk Full, Recording/Snapshot Abnormal	
<b>External Interface</b>		
Network Interface	1 RJ45 10M/100M self-adaptive Ethernet Interface	
USB Interface	Rear panel: 2 x USB2.0	
<b>General</b>		
Power Supply	DC 12V Power Consumption: ≤ 8 W( without HDD )	
Working Environment	-10°C to + 55°C ( +14°F to +131°F ), Humidity ≤ 90% RH(non-condensing)	
Dimensions(W×D×H)	260mm ×226mm× 47mm (10.2" × 8.9"×1.8")	
Weight ( without HDD )	≤1.1 Kg ( 2.42lb )	
<b>Certification</b>		

Certification	UL , CE , FCC , RoHS , WEEE
---------------	-----------------------------

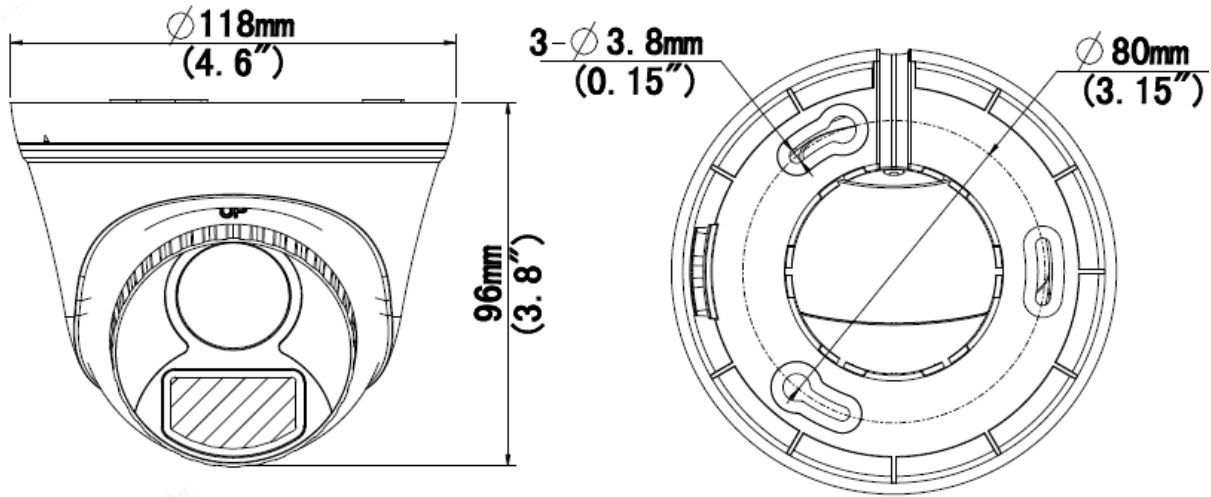
Model	UAC-T112-F28
<b>Sensor</b>	
Pixel	2MP
Size	1/3"
Minimum Illumination	0.02 lux (F2.0, AGC ON) 0.00 lux (IR on)
<b>Lens</b>	
Lens	2.8mm
Lens Mount	M12
Angle of View	H: 90.5° V: 49.6° D: 109.5°
<b>Illuminator</b>	
Illuminator	One IR illuminator
Illumination Distance	20m
Lifetime	≥60,000 hours
<b>Image</b>	
Resolution	1080P: 1920(H)×1080(V) 720P: 1280(H) ×720(V)
Frame Rate	TVI/AHD/CVI: 1080P@30fps, 1080P@25fps; 720P@30fps, 720P@25fps CVBS: PAL, NTSC
Shutter Time	PAL: 1/25s-1/50000s NTSC: 1/30s-1/50000s
<b>Image</b>	
Exposure Mode	4 modes: Global (default), BLC, HLC, DWDR
Day/Night	3 modes: Auto (default), Day, Night
Digital Noise Reduction	2D
White Balance	Two modes: Auto (default), Manual
WDR	DWDR
Smart IR	Support
Flip	Supports 180° horizontal flip, 180° vertical flip.
<b>Interface</b>	
Power	5.5mm power interface
Video Output	BNC, supports TVI/AHD/CVI/CVBS
<b>Operating Environment</b>	
Temperature	-30°C to 60°C(-22°F to 140°F)

Humidity	≤95% (RH, non-condensing)
Surge Protection	4KV
Ingress Protection	IP67
<b>General</b>	
Power	DC 12V(±25%), with reverse polarity protection and surge protection, Max 2.88W
Mount	Surface mount (default), optional backbox, wall mount bracket
Dimensions	Φ118mm×96mm(4.6" × 3.8") (diameter × height)
Material	Plastic
Weight	182g(0.401lb)
Certification	CB, CE, FCC

## Dimensions

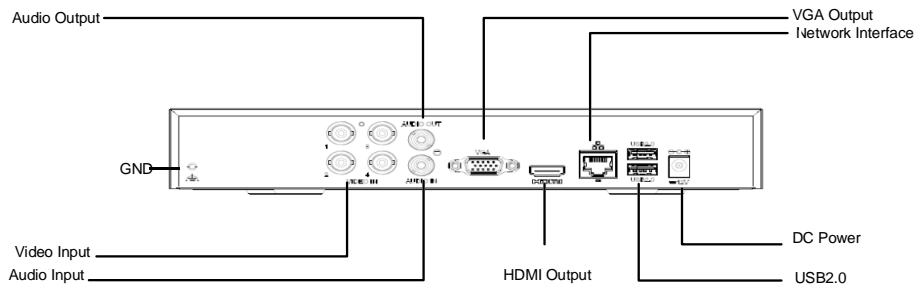


XVR301-04G3



UAC-T112-F28

## Rear Panel



### Zhejiang Uniview Technologies Co., Ltd.

Building No.10, Wanlun Science Park, Jiangling Road 88, Binjiang District, Hangzhou, Zhejiang, China

Email: [overseasbusiness@uniview.com](mailto:overseasbusiness@uniview.com); [globalsupport@uniview.com](mailto:globalsupport@uniview.com)

<http://www.uniview.com>

©2023 Zhejiang Uniview Technologies Co., Ltd. All rights reserved.

\* Product specifications and availability are subject to change without notice.